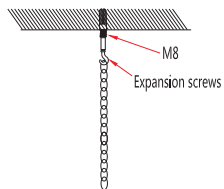
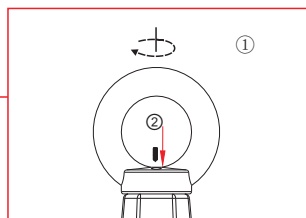
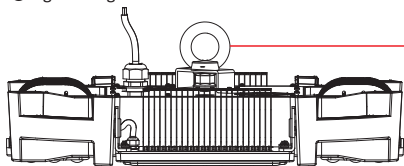
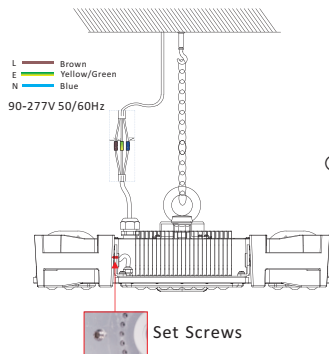
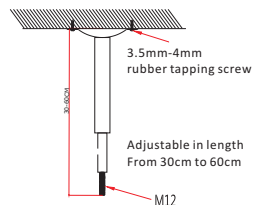


Installation Steps

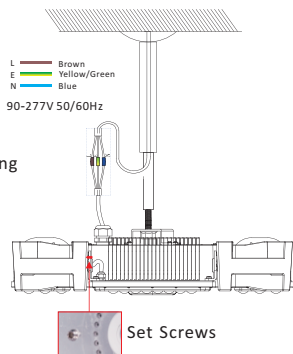
- ① Install the O-rings and screw up
- ② Tightening the M3 screw until it fill-in the hole exactly



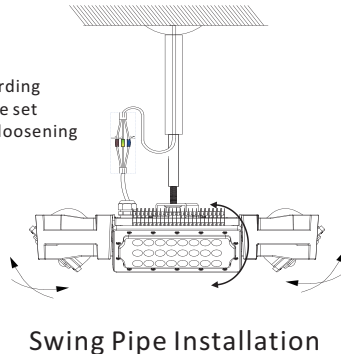
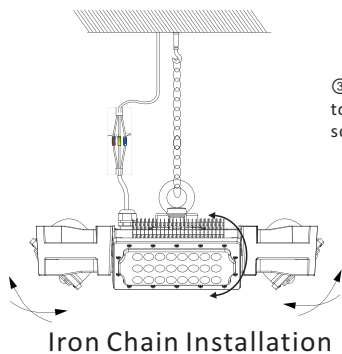
① Install the chain/pipe



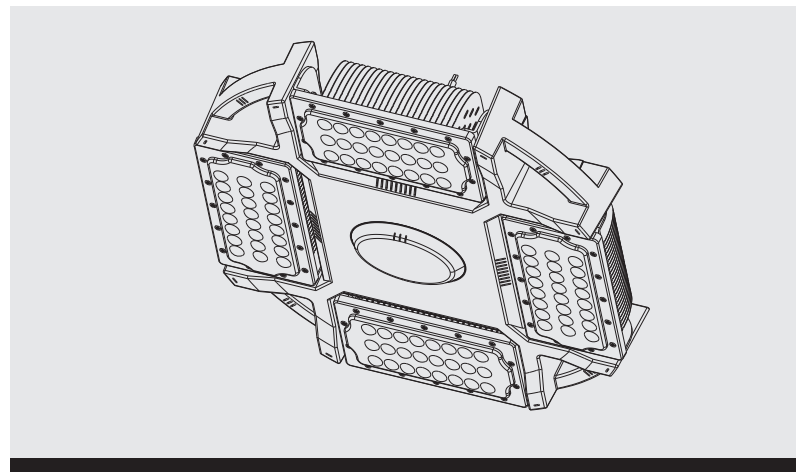
② Install the fixture and wiring



③ Adjust the angle according to need, then tighten the set screws, protect against loosening



Installation Instructions



LED Highbay Light

100W/150W/200W/240W

Scope of Application

With unique high-brightness SMD chips, high-purity aluminium heats sinks, high-efficiency constant current and constant voltage power drivers, this LED highbay light is designed for high quality lighting for gas stations, exhibition halls, factory, highway toll stations, workshop, warehouses, stadiums, supermarkets and similar applications, etc.

Technical Parameters

| | | | |
|-------------------|---------------|---------------------|----------------------|
| CCT | 2700-6500K | Power Factor | > 0.95 |
| CRI | Ra>70 / Ra>80 | Working Life | 50,000 hours |
| IP Grade | IP65 | Input Voltage | AC90-277V 50/60Hz |
| LED Initial Flux | 170-180LM/W | Beam Angle | 60°/120° |
| Lamp Initial Flux | 140LM/W±5% | Working Temperature | -40℃ ~60℃ |

| Lamp Power | LED Quantity | Lamp Size (mm) | Lamp Luminous Flux | Net Weight (kg) |
|------------|--------------|----------------|--------------------|-----------------|
| 100W | 192PCS | 429*429*107 | 14,000LM | 4.3±5% |
| 150W | 288PCS | 429*429*107 | 21,000LM | 4.3±5% |
| 200W | 384PCS | 429*429*107 | 28,000LM | 5.1±5% |
| 240W | 480PCS | 429*429*107 | 33,600LM | 5.1±5% |

Trouble Shooting

- * Please don't disassemble light without being authorized staff only.
- * Please report us the abnormality in time

| Problem | Possible Cause | Solutions |
|-----------------------|--|---------------------------------------|
| LEDs stop working | The power line/plug is improperly connected. | Reconnect the power cable/plug. |
| | Power failure. | Check the circuit. |
| | Fault with LED Driver. | Replace with new driver. |
| | Damage to LED chips. | Replace with new LEDs board. |
| LEDs flash on and off | The output of the driver is abnormal. | Replace with new driver. |
| | The LED chip breaks down. | Replace with new LED board. |
| | Voltage Instability. | Power-off and check the power supply. |

Warning



Follow The Installation Instructions



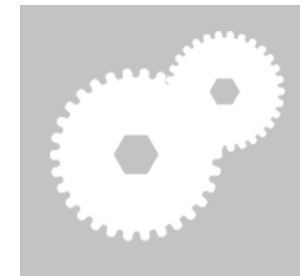
Certified Installer



No Live Line Work



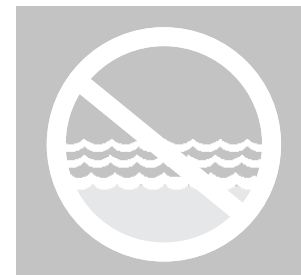
Power-Off In Accident



Use Original Parts



Use Waterproof Wiring



Not Suitable For Underwater Use



-40℃~60℃ Working Temperature



Keep Away From Chemical