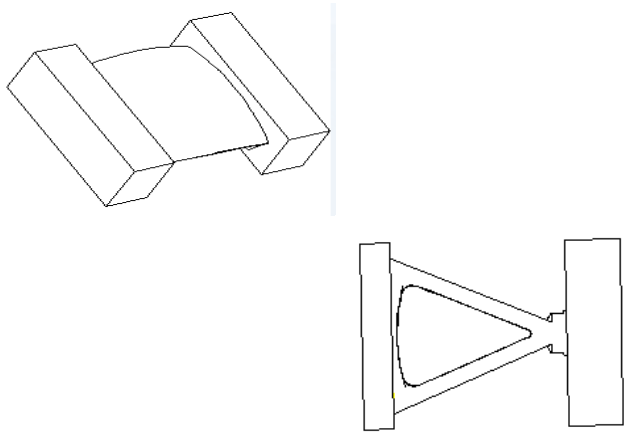


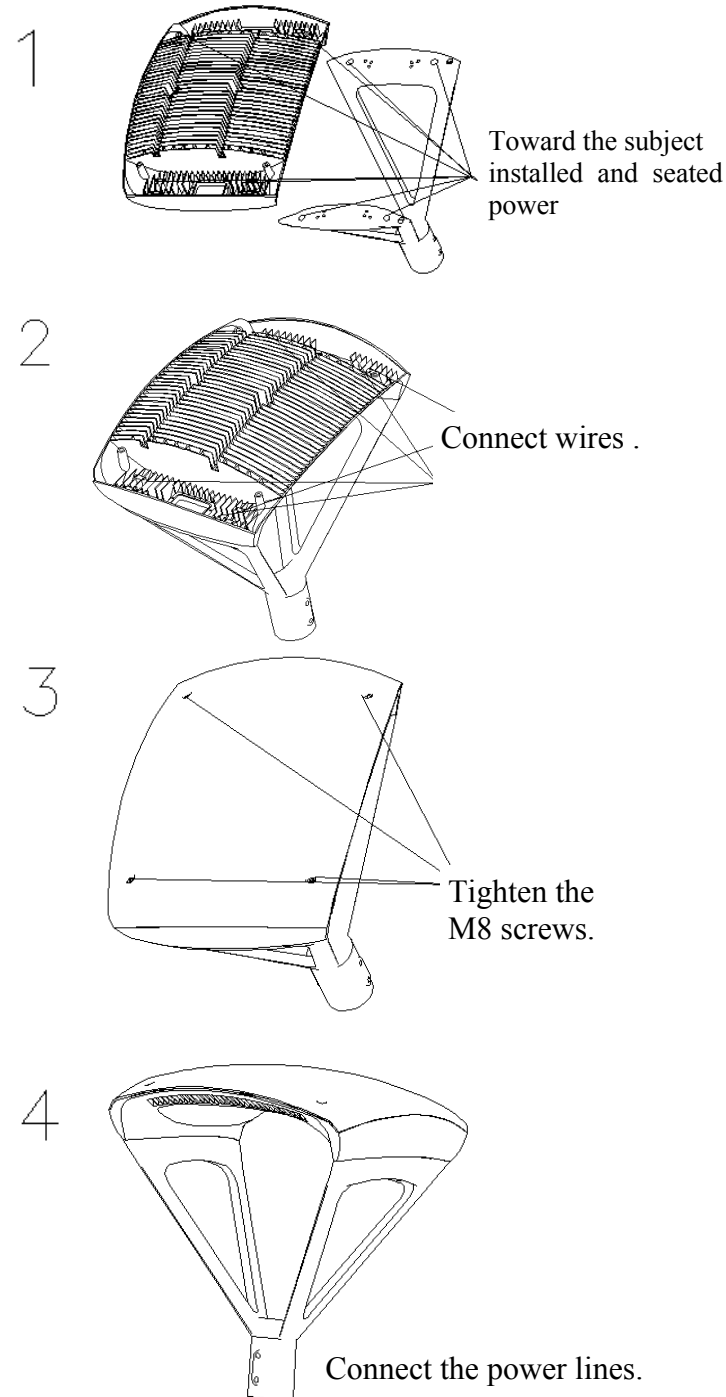
IV. Packaging



V. Cautions

1. Make sure the power has been turned off before maintenance.
2. Clean the lens cover regularly to maintain high transmission of light.
3. Clean up the dust from the reflector and heat sink regularly to keep sound heat dispersion.
4. Be careful not to use water or corrosive solution for cleaning, preferably with a dry cloth.
5. When install or replace power supply, directly open the back cover with a screwdriver, then remove the power supply. There are three-core cable of AC power, red corresponds to the power of "L", blue to "N", and green or yellow to "G".

III. Installation and Wiring



Top Post LED Area light manual instruction



I. Application

Pedestrian street, factory, schools, garden, courtyard, hotel, parking lot, public park etc.

II. Lamp Features

1. Lighter in weight. High cost performance.
2. Different precision refractive optical lens designed for various applications. Using high brightness SMD led chips and high quality Mean Well driver .
3. IP65 suitable for wet locations.
4. 5 Years Warranty