

UFO-X2-ADJ Series

Product Description:

The UFO-X2-ADJ Series utilizes a unique housing mold that gives the fixture a distinct look while still keeping an overall traditional feel. The UFO-X2-ADJ is a strong fixture, offering up to 150 lm/W, is IP 66 rated, has a die-cast aluminum housing and heatsink, and is also available with motion sensor and emergency battery options. New to the UFO-X2-ADJ series is an optional adjustable wattage and color temperature feature, allowing you to control the amount of light needed to your liking.



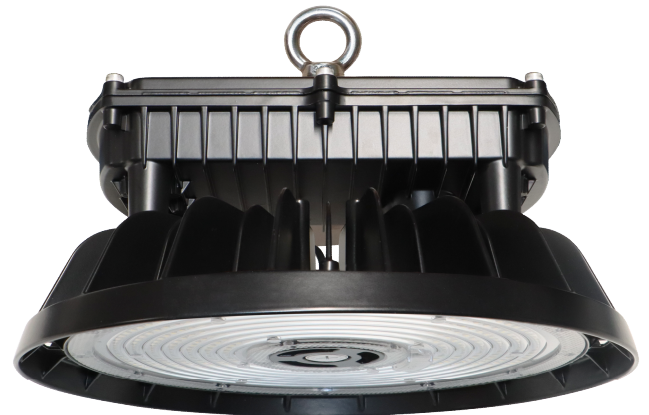
UFO-X2-ADJ 100-150W & UFO-X2-ADJ 180-240W

Features:

- **Application:** LED High Bay
- **Installation:** Hanging Ring / G-Hook / U-Bracket
- **Warranty:** 5 Years
- **LED Source:** 2835 SMD LED
- **Operating Temperature:** -40°F ~ 113°F
- **Power Factor:** >0.95
- **Housing Material:** Aluminum
- **Dimming:** 0-10V (comes standard)

Technical Data:

Certifications	UL
CRI	≥ 80
IP Rating	IP66
CCT	4000K ~ 5000K (Adjustable)
Input Voltage	120-277V / 120-347V



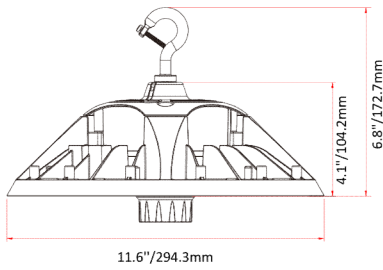
UFO-X2-ADJ 240-310W

Specifications:

Fixture Model	Total Lumens (@ highest wattage)	Efficacy (lm/w)	Dimensions (inches)	Weight (lbs)	Beam Angle
UFO-X2-ADJ-100-150W	13,007.2 lm	162.6 lm/W	6.08" x Φ11.6"	2.2	60° / 90° / 120°
UFO-X2-ADJ-180-240W	22,852.2 lm	152.3 lm/W	6.8" x Φ12.8"	6.6	
UFO-X2-ADJ-240-310W	36,008.8 lm	150.1 lm/W	10.0" x Φ13.8"	11.5	

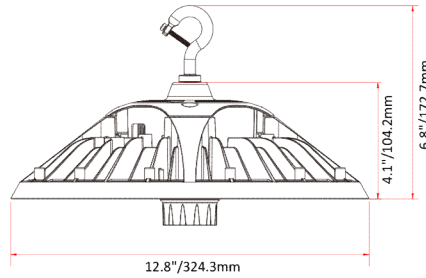
Dimensions:

UFO-X2-ADJ-100W-150W



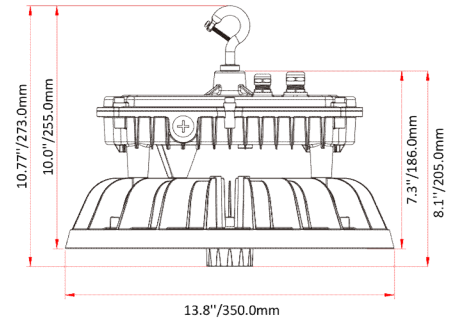
Net Weight: 4.9Lbs/2.2KG

UFO-X2-ADJ-180W-240W



Net Weight: 6.6Lbs/3KG

UFO-X2-ADJ-240W-310W



Net Weight: 11.5Lbs/5.2kgs

Accessories:



Aluminium Reflector (ALR)





Polycarbonate Dome (PCD)



Emergency Battery Backup (EM)

Ordering Guide:

UFO-X2-ADJ-100-150W	120-277V	BL	HR	40K-50K	120°	
Adjustable Wattage:	Voltage:	Color:	Mounting:	Adjustable CCT:	Beam Angle:	Optional Accessories*:
100W-150W (100/120/150)	120-277V 120-347V	BL: Black	HR: Hanging Ring HK: G-Hook	40K-50K	60° 90° 120°	MS: Motion Sensor PIR: PIR Sensor RC: Remote Control DLS: Daylight Sensor
180-240W (200/220/240)						EM: 25W Emergency Battery Backup Above Hanging Ring
240-310W (240/270/310)			UB: U-Bracket 			ALR: Aluminium Reflector - Size for ALR 100-150W (2.99"H x 17.95" OD) - Size for ALR 180-240W & 240-310W (3.15"H x 17.95" OD)
						PCD: Polycarbonate Dome - Size for PCD 100W-150W: (5.91" H x 16.22" OD) - Size for PCD 180W-240W & 240-310W (5.71" H x 16.22" OD)

*Additional Costs Apply