

### Product Description:

The NEXUS Series spotlight is built utilizing a heavy duty die cast aluminum that houses powerful Lumileds 5050 LED chips that yields a high lumen output. The design of the NEXUS series is engineered to minimize glare and it is rugged, weather-tight and 3G Vibration ratings ensure that it can survive harsh environments. The NEXUS comes standard with 20kV surge protection and 1-10V dimming. Integral or remote driver option available.

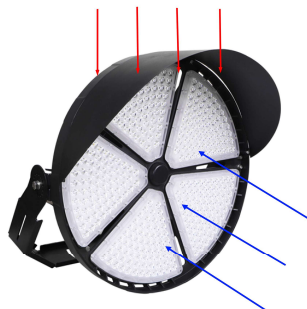
### Features:

- **Application:** LED Spotlight
- **Installation:** Yoke
- **Calculated Life Hours:** 100,000+
- **Warranty:** 10 Years
- **LED Driver:** Meanwell
- **LED Source:** Lumileds 5050
- **Operating Temperature:** -40°F ~ 122°F
- **Housing Material:** High pressure die casting housing and anti-static powder-coating with a polycarbonate hood



### Technical Data:

<b>Certifications</b>	<b>UL</b>
<b>CRI</b>	<b>≥ 70 (80 available)</b>
<b>IP Rating</b>	<b>IP65</b>
<b>CCT</b>	<b>3000K ~ 6500K</b>
<b>Input Voltage</b>	<b>100-277V / 277V-480V</b>



#### EPA:

- Front(Blue): 3.3
- Flank(Red): 1.57

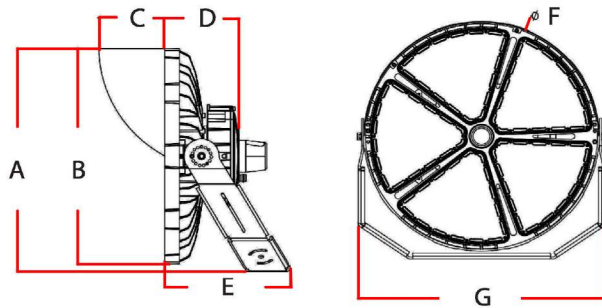
### Specifications:

Fixture Model	Total Lumens * (5000K)	Efficacy (lm/W)	Dimensions (inches) [diameter x height]	Weight (lbs)	Replaces MHL	Beam Angle
NEXUS-300W	50,486.4 lm	168.2 lm/W	Φ22.0" x 23.0"	44	1,000W	15° 30° 60° 90°
NEXUS-400W	65,032.7 lm	162.5 lm/W	Φ22.0" x 23.0"	44	1,200W	
NEXUS-460W	74,133.9 lm	161.1 lm/W	Φ22.0" x 23.0"	44	1,500W	
NEXUS-750W	109,006.0 lm	145.3 lm/W	Φ21.5" x 22.2"	60	1,800W	25° 30°
NEXUS-960W	127,757.2 lm	139.76 lm/W	Φ21.5" x 22.2"	60	2,000W	

\* Lumens for 300W/400W/460W at 60°, 750W/960W at 15°

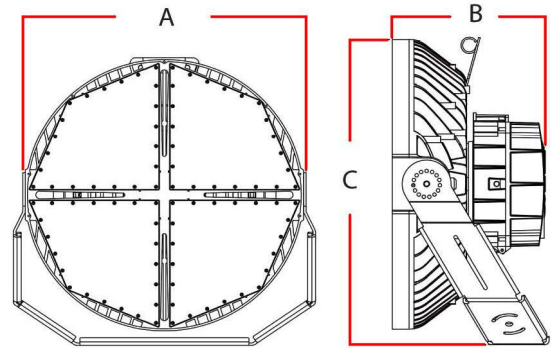
## DIMENSIONS

### NEXUS-300W/400W/460W



A	B	C	D
57.3cm/23"	φ55.4cm/22"	16.5cm/6"	18.6cm/7"
E		F	
31.3cm/12"		55.6cm/22"	
G			
58.1cm/23"			

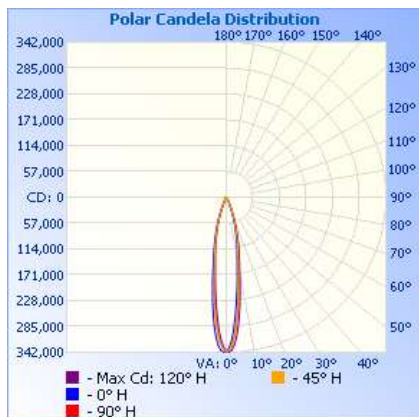
### NEXUS-750W/960W



A	B	C
54.5cm/21.5"	275.5cm/10.9"	56.4cm/22.2"

## DISTRIBUTION CURVE FLUX

### NEXUS-400W-5000K-15°



**Illuminance at a Distance**

Center Beam fc	Beam Width		
9.7ft	3,605 fc	3.0 ft	3.1 ft
19.3ft	911 fc	6.0 ft	6.1 ft
29.0ft	403 fc	9.1 ft	9.2 ft
38.7ft	226 fc	12.1 ft	12.3 ft
48.3ft	145 fc	15.1 ft	15.3 ft
58.0ft	101 fc	18.2 ft	18.4 ft

■ Vert. Spread: 17.8°  
■ Horiz. Spread: 18.1°

## Ordering Guide:

<b>NEXUS-400W</b>	<b>100-277V</b>	<b>BL</b>	<b>DM</b>	<b>20kV</b>	<b>40K</b>	<b>60°</b>	
<b>Wattage:</b> 300W 400W 460W 750W 960W	<b>Voltage:</b> 100-277V 200-480V	<b>Color:</b> BL: Black	<b>DM:</b> 1-10V (standard)	<b>20kV</b> Surge Protection (standard)	<b>CCT:</b> 30K 40K 50K 57K 65K	<b>Beam Angles:</b> <b>300W-460W</b> 15° 30° 60° 90° <b>750W-960W</b> 25° 30°	<b>Optional Accessories:</b> MS: Motion Sensor PC: Photocell