

TRIDENT-1 Series

Product Description:

The TRIDENT-1 Series is a powerful flood light, offering up to 140 lm/W, packaged in a sleek, modern housing. The rotatable LED modules make the TRIDENT-1 a very unique fixture, allowing you to adjust the light to cover your desired range of area needed. The TRIDENT-1 is also available with a wide range of color temperatures and accessories to help fill your lighting needs.

Features:

- **Application:** Parking lots, plazas, roadways, site & area lighting
- **Mounting Options:** U-Bracket, Slipfitter, Cross Bracket
- **Warranty:** 5 Years
- **Long Life:** 100,000+ hours
- **LED Driver:** Meanwell
- **Operating Temperature:** -40°F ~ 140°F
- **Lens:** Polycarbonate
- **Certifications:** ETL



Technical Data:

LED Source	Lumileds
CRI	≥ 80
IP Rating	IP65
CCT	2700K-6500K
Input Voltage	100-277V or 480V
Power Factor	>0.95



Specifications:

Fixture Model	LED Chips	Total Lumens (60°)	Efficacy* (LPW)	Weight (lb)	Dimensions (inches)	# of Modules	Beam Angle
TRIDENT-1 50W	Philips Lumileds	7,278.7 lm	145.6 lm/W	5.72	9.53 x 4.02 x 2.87	1	30° 60° 120° 135° x 65°
TRIDENT-1 100W		14,464.3 lm	144.6 lm/W	8.8	9.53 x 8.70 x 2.91	2	
TRIDENT-1 150W		22,058.1 lm	147.1 lm/W	11.88	9.53 x 13.4 x 2.91	3	

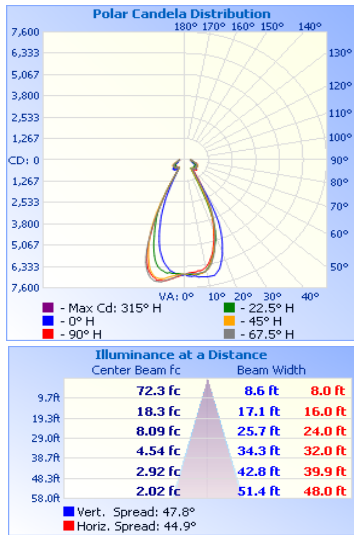


Bracket Rotatable 180°

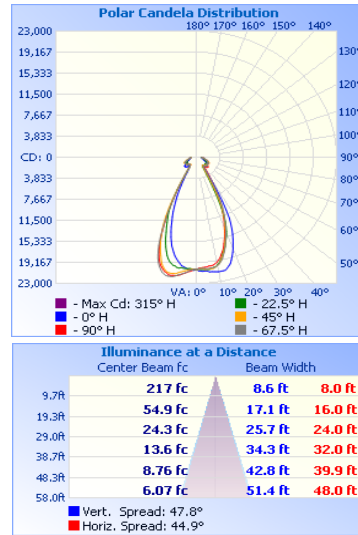


Module Rotatable 90°

Photometrics:

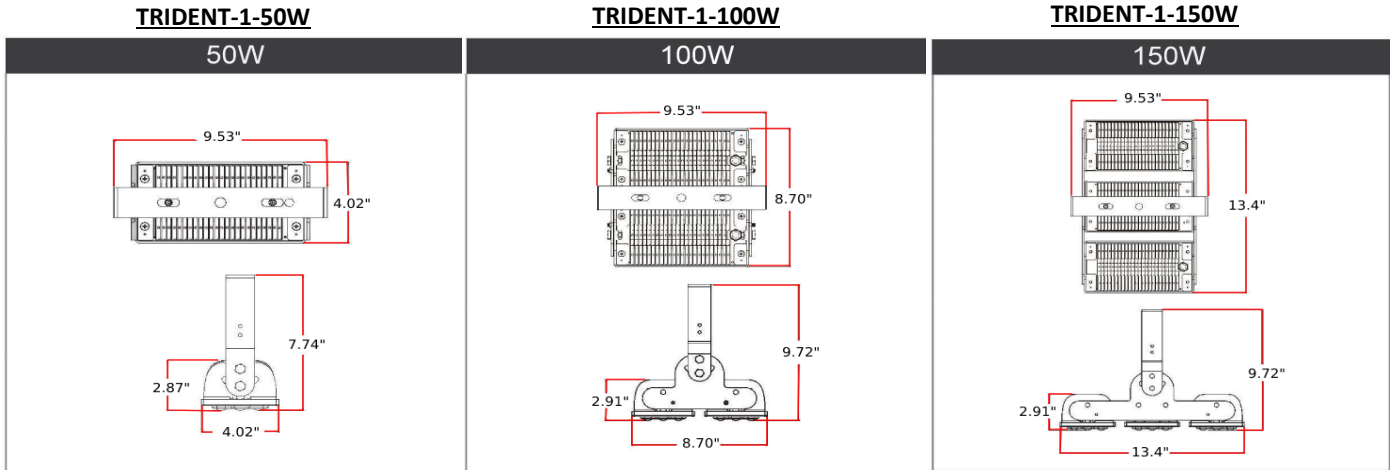


TRIDENT-1 50W/60°



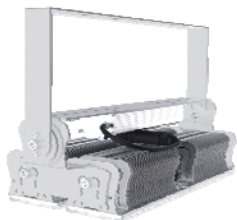
TRIDENT-1 150W/60°

Dimensions:



Ordering Guide:

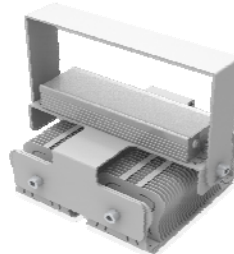
TRIDENT-1 150W	100-277	BL	50K	60°	SF	
Wattage: 50W 100W 150W	Voltage: 100-277V 347-480V	Color: BL: Black (Standard) GR: Gray	CCT: 27K 30K 40K 50K 57K 65K	Beam Angle: 30° 60° 120° 135° x 65°	Mounting: UB: U-Bracket (Standard) SF: Slipfitter (60mm) CB: Cross Bracket	Optional Accessories: [MS]: Motion Sensor w/ remote control [DM]: 0-10V or 1-10V dimmable available [SH]: Shield



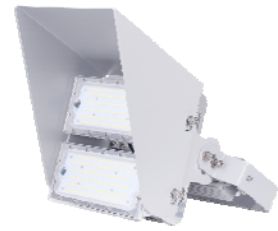
U-Bracket Mounting



Slipfitter Mounting



Cross-Bracket Mounting



Light Shield